

LED mirror lights "Banho"



Product description:

Elegant and discreet at the same time - this very beautiful LED mirror light can easily be attached above the mirror and provides a lot of light in front of the mirror with its light field. No glare thanks to the matt front cover.

Common technical details:

- Duo mounting: suitable for wall and to mounting
- Light color 4000k / neutral white
- Light angle 110 °
- 100% bright 0.1 sec. • On / Off 20,000x
- Burn time 20,000 hours. • RA> 80
- Power factor> 0.55
- Voltage 230V ~
- not dimmable
- IP44, suitable for damp rooms



Technical details of the different types:

22723: Banho 400 • 8W / 640 Lumen • Dimensions 400x112x44mm • Consumption / 1000h 8kWh 22724: Banho 600 • 12W / 960 Lumen • Dimensions 600x112x44mm • Consumption / 1000h 12kWh 23131: Banho 780 • 15W / 1200 Lumen • Dimensions 780x112x44mm • Consumption / 1000h 15kWh



Safety instructions and important information!

In order to guarantee safety at all times and to use the full range of functions of the device, please read the safety instructions carefully and carefully!

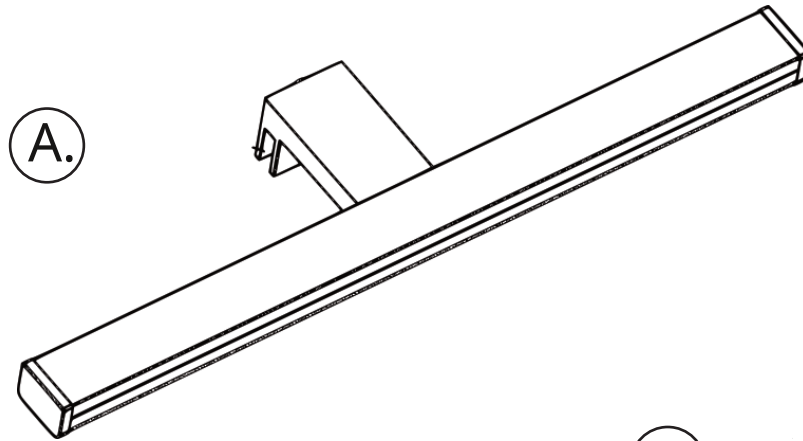
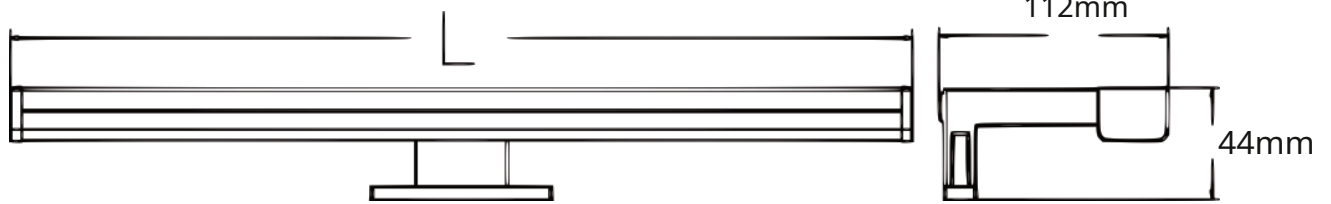
The product must not be modified technically or mechanically, otherwise the operating license and the conformity expire with immediate effect !! The nameplate / imprint must not be removed under any circumstances! Check the product for damage before each use. If the product is damaged, it must be checked, repaired or replaced by a specialist company and disposed of in accordance with the applicable guidelines (see footer on page 1). Under no circumstances may a damaged or defective product continue to be used! Please be sure to secure all packaging material and accessories, especially small parts such as screws and foils, from children and animals. Danger of suffocation! The manufacturer assumes no liability for damage to property or personal injury in the event of non-compliance with the instructions or improper use, misuse or changes made to the product. The product must never be covered during operation! This product must never be operated, kept, put down or stored in the reach of children or animals. Keep these instructions in a safe place. If this product is passed on, the instructions and packaging must be included. Thanks! We reserve the right to make misprints or changes to packaging, the product or the instructions.

Never look directly or unprotected into the light or the LEDs, the brightness can dazzle you and you risk injuries and possibly permanent damage to the eyes or the retina.

**Never point the lamp at people or animals!
The product must never be covered during operation! Fire hazard!**

Electronic devices that are marked with the crossed-out garbage can do not belong in the household waste! You can hand these devices over to the municipal collection points free of charge. Inquire at your local authority, the responsible town hall or a local or municipal waste disposal company. Thanks very much.

Length 400/600 or 780mm

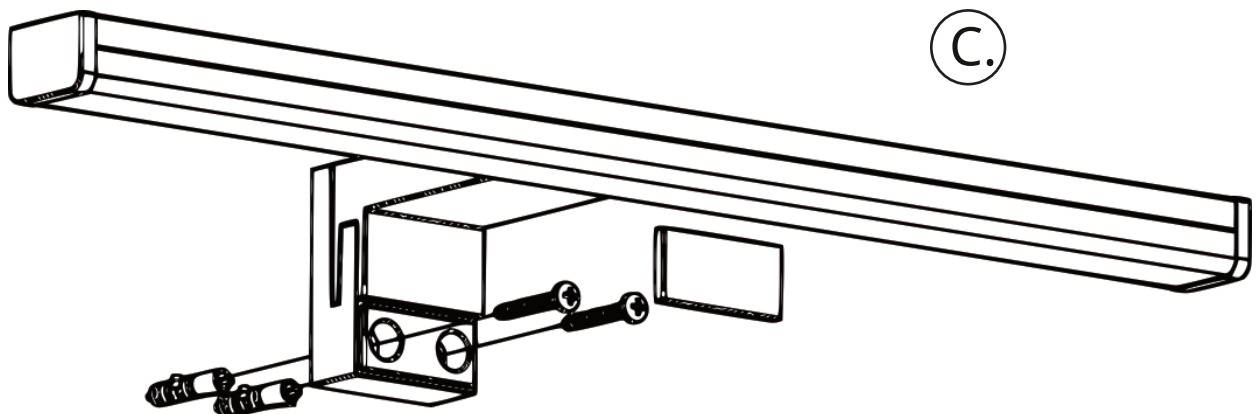
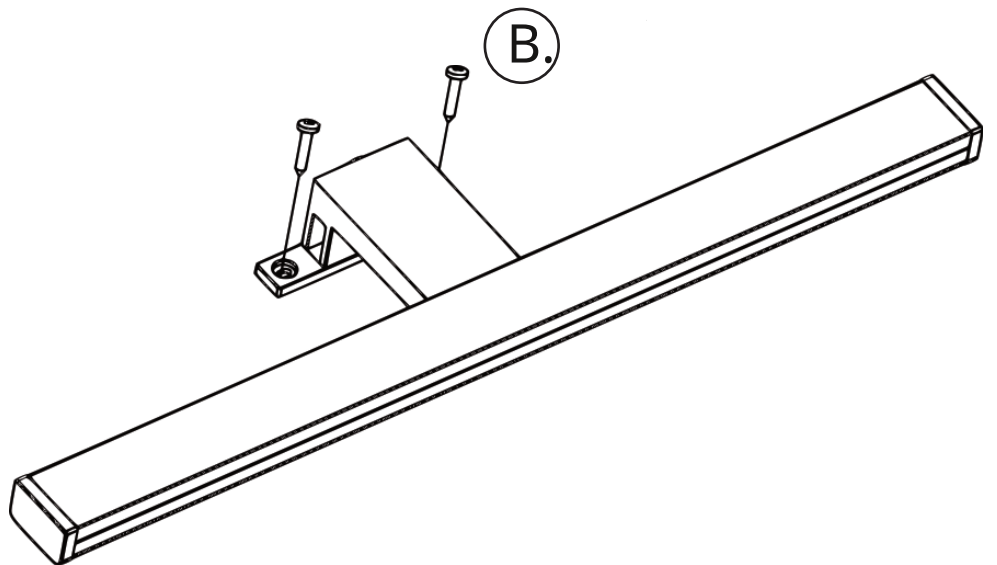


Flexible (3 in 1) mounting options

A. Attach to e.g. mirror glass (max. 5mm)

B. Screw onto a mirror cabinet, for example

C. Screw on directly on the wall



Installation (see also page 1 for safety information)

- **Connection or installation may only be carried out by qualified electricians!**
- For all work, switch off the circuit in which the installation is being carried out completely at the main fuse! **Otherwise there is a DANGER TO LIFE !!**
- Fasten the bracket at the installation site.
- Connect the supply line as shown in the following figure. Before doing this, check again that your power supply has been switched off at the main fuse!
- There are no serviceable parts inside this product.
- The correct connection must be checked; the voltage may only be switched on again when the installation is faultless.
- The circuit may only be put into operation when all components have been properly and firmly installed in the wall / bracket / ceiling and checked for full functionality.
- No installation on or in the vicinity (50cm distance) of combustible / inflammable materials (ignition temperature <math><200\text{ }^\circ\text{C}</math>). Also pay attention to Gas / dust / room air mixture. If necessary, ventilate the room well beforehand.

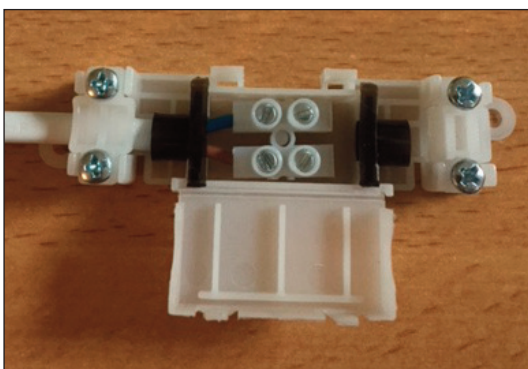
Example connection diagram, wire colors may differ

- Connection only allowed by a qualified electrician -

Connection:

The mirror light is delivered ready for connection with an approx. 20cm connection cable and a plastic connection box. The connection box is equipped with sealing cable bushings on both sides. The connection lines are to be led through the rubber seals. The strain relief must be tightened so that the current-carrying cable is fixed. After connecting the box, close it until it clicks into place

L: Lead phase (brown) **N:** Lead neutral conductor (blue) **PE:** NOT available (is not required due to protection class 2 - double insulation)

**- Notes on cleaning, care and environmental protection -**

To clean this product, use a dry, lint-free cotton cloth. For heavier soiling, use a slightly moistened, slightly damp cloth. Make sure that the product is switched off and disconnected from the mains. Never use chemical cleaning agents. Never use liquids that could damage the surface of the product (e.g. scouring milk). The product does not contain any serviceable parts. The product is marked with a crossed-out garbage bin, please note the disposal information in the footer of the first page of these instructions.