

digital weekly timer for, panel mounting, 230V, with bluetooth

Item No. 23164

Product description:

For automatic switching / control of e.g. stairwell / staircase lighting, garden lighting, house lighting, garage or courtyard lighting, any lighting for paths, courtyards and driveways. This week time switch is for installation in control panels (top hat rail mounting).

Technical details:

- DIN standard top hat rail in the fuse box
- digital programming
- Space requirement 2 modules
- LCD display
- 8 programs per day or week
- Switching interval at least 1 minute
- Installation height 61mm
- Switching capacity max.8A / 1800W
- 230V / 50Hz
- Inductive load up to a maximum of 2A / 460VA
- HxWxD85x35x65mm

You can find the EU declaration of conformity at www.chilitec.de



https://www.chilitec-static.de/23164_EG-Konformit%E4tserkl%E4rung.pdf?1639560698224



Safety instructions and important information!

In order to guarantee safety at all times and to use the full performance spectrum of the device, please read the safety instructions carefully and carefully!

The product must not be modified technically or mechanically, otherwise the operating license and conformity will expire with immediate effect! The nameplate / imprint must not be removed under any circumstances! Check the product for damage before each use. If the product is damaged, it must be checked, repaired or replaced by a specialist company and disposed of in accordance with the applicable guidelines (footer page 1). Under no circumstances may a damaged or defective product continue to be used! Please be sure to secure all packaging material and accessories, especially small parts such as screws and foils, from children and animals. Suffocation hazard! In the event of non-compliance with the instructions or improper use, the manufacturer Any misuse or changes made to the product assume no liability for damage to property or personal injury. This product must never be operated, kept, stored or stored in the reach of children or animals. If this product is passed on, the instructions and packaging must be included. Thank you! We reserve the right to make misprints or changes to packaging, the product or the instructions.

Separate safety instructions for 230V installations

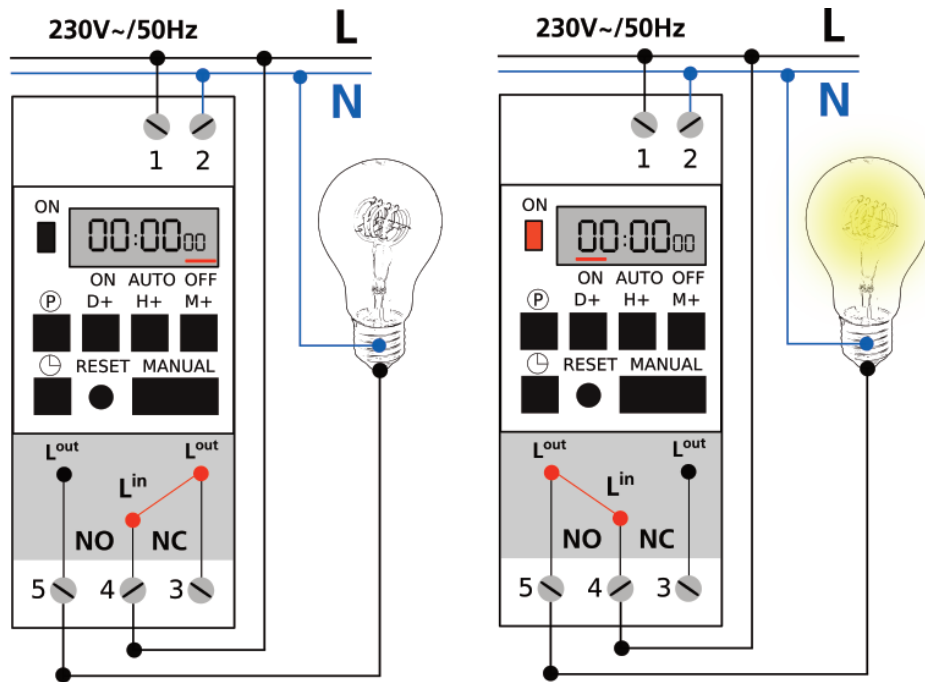
The installation or the intervention in the power grid can lead to very serious injuries up to a fatal electric shock. • Connection or installation may only be carried out by qualified personnel / qualified electricians in a voltage or current-free state! For all work, completely switch off the circuit in which the installation is being carried out at the main fuse! Otherwise there is a DANGER TO LIFE !! To connect all 230V ~ / 50Hz components, the minimum cross-section (1.5mm²) of the connection line must never be undershot. It is imperative that you use a cable and tool that has been expressly approved for this use. There are no serviceable parts inside this product. The correct connection must be checked; the voltage may only be switched on again when the installation is correct.

Electronic products that are marked with the crossed-out garbage can do not belong in the household waste! You can hand these products over to the municipal collection points free of charge. Inquire at your local authority, the responsible town hall or a local or municipal waste disposal company. Many Thanks. Used batteries should not be put in the household garbage. Consumers are legally obliged to bring batteries to a suitable collection point at retail or local authority. Old batteries may contain pollutants or heavy metals that can be harmful to the environment and human health. The symbols under the label (garbage can) stand for: Pb: battery contains lead, Cd: battery contains cadmium Hg: battery contains mercury. The environment and ChiliTec say thank you.

1. Installation and safety (see also page 1 for safety information)

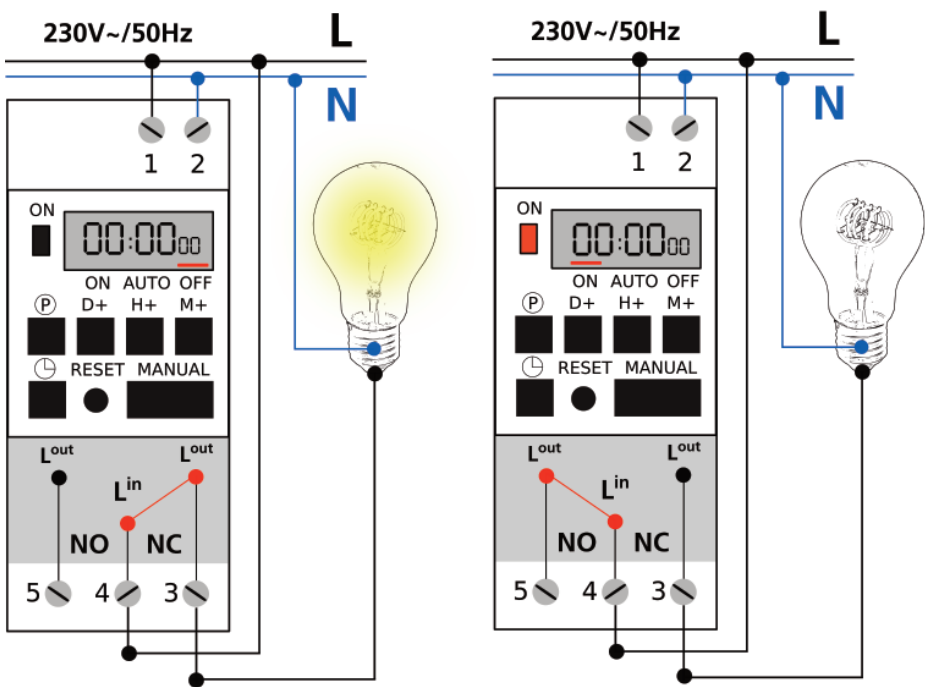
Item No. 23164

- Connection or installation may only be carried out by qualified electricians! Otherwise there is a DANGER TO LIFE !!
- Insert the stripped wires of the input and output lines into the terminal on the sensor and screw them tight! Check that the wires are firmly seated.
- Do not install near sources of heat or cold.



Legende:

- L** Eingang (Betriebs-) Phase L
- N** Eingang Nullleiter N
- NC** Relaisausgang "normal closed"
L^{out} wenn rote LED = AUS
- NO** Relaisausgang "normal open"
L^{out} wenn rote LED = EIN
- Lⁱⁿ** Eingang (Schalt-) Phase L für Schaltgänge NC/NO
- L^{out}** Ausgang (Schalt-) Phase L je nach Relaisposition (NO oder NC = L^{out})



2. Controls & display

Display: LCD for time & status as well as red "ON" LED that only lights up when switched on.

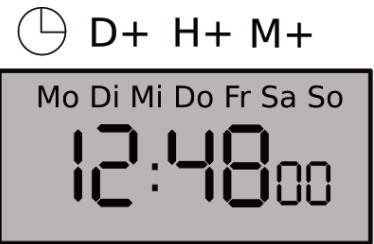
Service:

- P button: Program button
- D + button: Day / Tag
- H + button: hour / hour M
- M + button: minute
- Clock: time setting
- Reset: Factory reset

Manual: Switching through the statuses "ON" / "AUTO" / "OFF" So for example manual ON / OFF

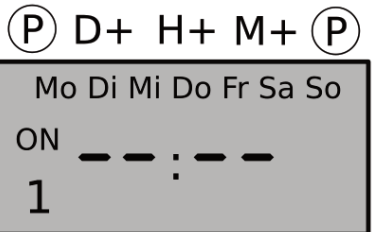
3. Setting or programming directly on the timer

Time and day setting: Press and hold the "Clock" button. In addition, press the D + button. In the upper part of the display, the days of the week are switched through each time you press D +. Select the currently valid weekday. Keep the clock button pressed and set the hours (24h) and the minutes one after the other by pressing H + and M +. After releasing all buttons, the set data will be saved.

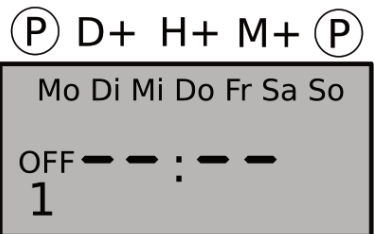


4. Programming the switching times:

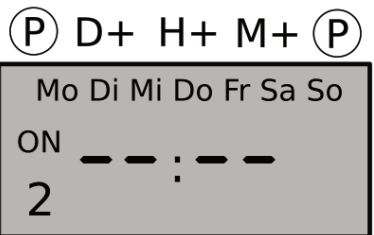
There are 8 switch-on times (ON) and 8 switch-off times (OFF). Press the P key to program. It starts with switch-on time 1 (1 of 8 possible). Use D + to set the day (s) of the week for which the start time is to be used. Here, each day can be selected individually or specified day blocks (combinations) or switched through. The following blocks (combinations) can be selected: Mo Tu We Th Fr Sa Su • Mo Tu We Th Fr • Sa Su • Mo We Fr • Mo Tu We Th Fr Sa • Tu Th Sa • Mo Tu We • Th Fr Sa •. Days of the week are shown in English in the display. Monday (Monday = Mo), Tuesday (Tuesday = Tu), Wednesday (We), Thursday (Thursday = Th), Friday (Friday = Fr), Saturday (Saturday = Sa), Sunday (Sunday = Su).



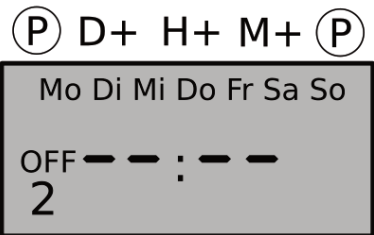
Once you have made all the entries for start time 1, complete the entry by pressing the P key. Start time 1 is saved and the display changes to switch-off time 1 (OFF) .. Here you also make all entries (D, H, M) and save again by pressing P. Now the display changes to start time 2. Make an entry> Press P > Switch-off time 2> make an entry > Press P etc., if required up to start / switch-off time 8.



You can exit the programming mode at any time by pressing the "Clock" button; all entries that have not been confirmed with P will then be lost.



All programmed programming can be "switched through" with the P key and checked if necessary. Each start or switch-off time can simply be "overwritten" by "navigating" to it by pressing the P button and simply changing the set time with the D +, H +, M + buttons. The changed entry must be ended again with P to save.



Reset / factory setting:

If you want to delete all entries (programming and time), hold down the RESET button with a small object for > 5 seconds. The red ON LED lights up, all entries have now been deleted.

Important instructions:

Make sure you never overload the timer. Maximum 8A (1800Watt). If the relay contacts are overloaded (e.g. by starting currents or similar), they can "stick" and the device is defective. In this case, the ON / OFF LED no longer works correctly and the status cannot be checked.

Item No. 23164

5. Programming of the switching times via APP via smartphone bluetooth:

Download and install the smartphone APP "JJ Time Switch" on your mobile device. This APP is currently still in a phase of development, constant improvements or changes are possible at any time.

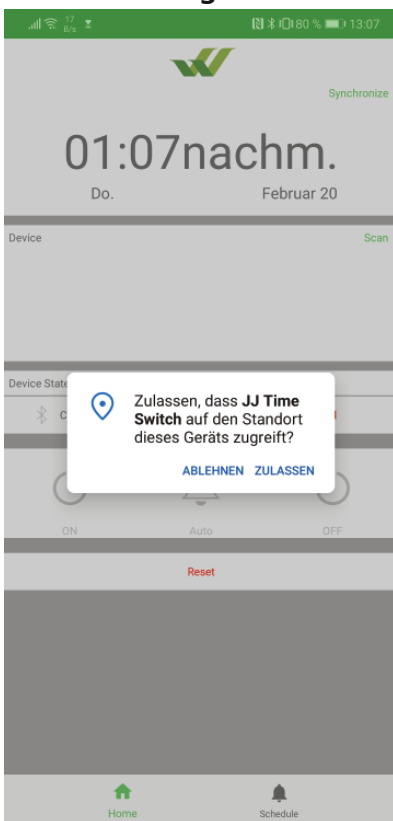


JJ Time Switch
Better Pi Limited

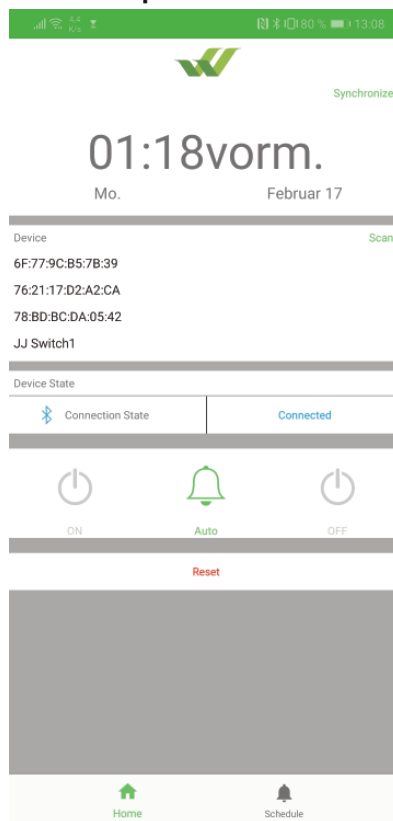
6. The "Time Switch" app

After installing the app, make sure that the Bluetooth function of your mobile phone is switched on and ready for connection before starting the app for the first time. Start the APP.

Image 1



picture 2



picture 3



7. Explanations

Depending on which mobile phone or which operating system you are using, you may have to confirm certain services or functions (Illus. 1). Unfortunately, the APP programming does not include a 24-hour display. There is a distinction between morning and afternoon (see picture 1 and 2). Depending on the operating system of the mobile phone, more or fewer functions can be used. Time synchronization and setting work with some operating systems, but unfortunately not with others or older ones. When your mobile device has connected to the timer via Bluetooth (range max. 5m) (Connect lights up blue - not connected red), you can switch between the statuses ON, AUTO, OFF and the 8 different switch-on and switch-off times (Figure 3). synchro- nize or transmit via settings and between the devices or carry out a reset.

digital weekly time switch for control panel installation, 230V, with bluetooth

Item No. 23164

Technical details:

- DIN standard top hat rail in the fuse box
- digital programming
- Space requirement 2 modules
- LCD display • 8 programs per day or week
- Switching interval at least 1 minute
- Installation height 61mm • Switching capacity max.8A / 1800W
- 230V / 50Hz • inductive load up to a maximum of 2A / 460VA
- HxWxD85x35x65mm



The product must not be modified technically or mechanically, otherwise the operating license and conformity will expire with immediate effect! The nameplate or imprint must not be removed under any circumstances! Check the product for possible damage before each use. We do not accept any liability for damage to property or personal injury for non-compliance with the instructions or improper use, misuse or improper use.

Declaration of Conformity (EG Declaration of Conformity)

Company / brand / EAN / item no. / Art. Designation / Manufacturer designation

(type) ChiliTec GmbH, Bäckerberg 12, 38165ehre-Essenrode, Germany

EAN: 4250416332875 / Art.No. 23164 / Designation: Weekly time switch with BT / Type: TH-857BT

Product designation / time or date of first placing on the market: Weekly time switch with BT / July 2020

The product has been tested according to the following standards / guidelines:

EN 62368-1: 2014 + A11: 2017 ETSI EN 301	IEC 62321-1: 2013
489-1 V2.2.3 (2019-11) Draft ETSI EN 301	IEC 62321-2: 2013 + A1: 2017
489-17 V3.2.2 (2019-12) EN 55032: 2015	IEC 62321-4: 2013 + A1: 2017
	IEC 62321-5: 2013
EN 55035: 2017	IEC 62321-7-1: 2015
EN IEC 61000-3-2: 2019	IEC 62321-7-2: 2017
EN IEC 61000-3-3: 2013 + A1: 2019	IEC 62321-6: 2015
ETSI EN 300 328 V2.2.2 (2019-07) EN	
62479: 2010	

We hereby declare, based on the information provided by the producing factory, that the listed product fulfills the conditions, necessary technical prerequisites and requirements with regard to electrical safety. Furthermore, the guidelines of the council for the approximation of the legal regulations of the EU member states regarding electromagnetic compatibility (2014/30 / EU) and the Low Voltage Directive (2014/35 / EU) as well as ROHS (2015 / 863EU & 2011/65 / EG) and the Radio Equipment Directive (2014/53 / EU). The authorization to carry the CE mark is fulfilled by the conformity to the EMC / LVD / ROHS / RED directives.

Teaching, 11/11/2021

Tobias Meyer

place and date

Technical Director



Electronic devices that are marked with the crossed-out garbage can do not belong in the household waste! You can hand these devices over to the municipal collection points free of charge. Inquire at your local authority, the responsible town hall or a local or municipal waste disposal company. Many Thanks.